



SunRise Solar-Powered Attic Fan

Flat Base Unit

Installation Guide



Model Shown: # FB1050

Available Models:
FB850, FB1050, FB1250
(including FB850FT, FB1050FT, FB1250FT)

- For normal sloped, shingled roofs.
- Also works well with flat concrete tile or slate roofs.

Made in the USA

5yr warranty on motor
10yrs all other parts



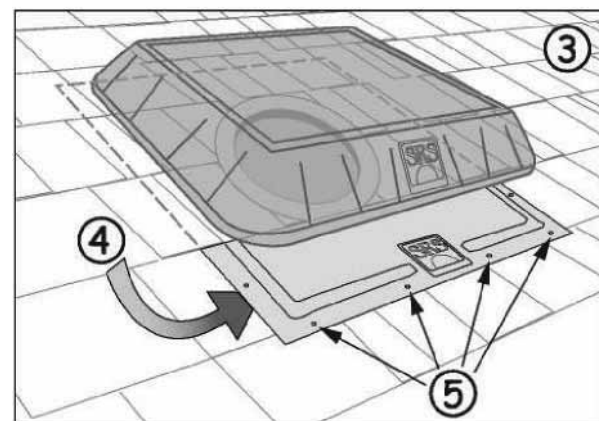
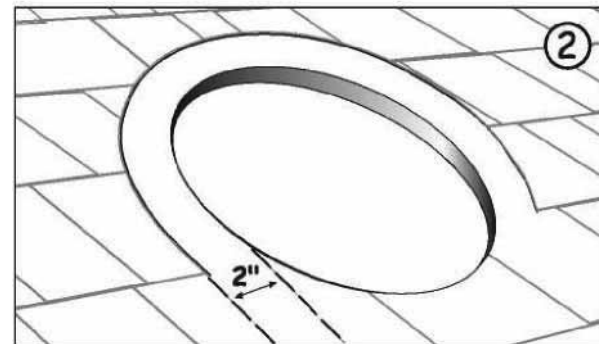
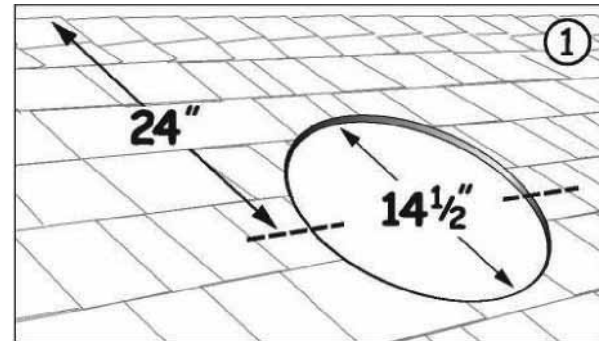
SunRise Solar Inc.
P.O. Box 53
St. John, IN 46373
219-558-2211
219-306-4571 fax
www.SunRiseSolar.net



FLAT BASE UNIT INSTALLATION

NOTE: For best operation, install solar fan where it will receive direct sunlight. South or West facing roof slopes will work best.

- 1.) Cut a 14 1/2" diameter hole between rafters approximately 24"-30" down from roof peak to center of hole.
- 2.) Trim away top rows of shingles an additional 2" to allow base flashing to slip under top rows of shingles and over bottom rows.
- 3.) Slip the flat base under the top rows of shingles and center unit over opening with the SRS Logo on the bottom.
- 4.) Gently lift the unit and apply sealant under lower edge and sides of base flashing.
- 5.) Pre-drill (4) mounting holes along the bottom edge of the base flashing, and (1) hole on each side approximately 2" up from the bottom edge.
- 6.) Use exterior-grade screws to secure unit to roof deck. Apply sealant to screw heads.



DO NOT OVER-TIGHTEN SCREWS

Installation Questions?
Call 1-866-599-3566



*** THIS PAGE APPLIES ONLY TO MODELS WITH A FIXED THERMOSTAT**

Fixed Thermostat Information

This fan has been factory equipped with a thermal on/off switch. This switch is designed to turn the fan:

ON: 80° F
OFF: 65° F
(+/-7°)



Example: Attic temperature rises to 80° and fan turns on. Once it cools to 65° the fan will shut off. If evening comes and temp does not fall below 65° to reset the switch, then the unit will start the next morning at sunrise and continue to cool the attic. However, if the attic temp falls below 65° at night, then the switch will shut off and will not turn the unit on again until attic temp reaches 80°.

INSTALLER: THIS FAN WILL NOT RUN UNLESS THE AMBIENT (AIR) TEMPERATURE IS AT OR NEAR 80°. YOU MAY TEST OPERATION OF THE THERMOSTAT BY BLOWING WARM AIR DIRECTLY ON THE THERMOSTAT TO HEAT IT TO 80°, MAKING SURE SOLAR PANEL IS EXPOSED TO SUNLIGHT AT THE SAME TIME.

SunRise Solar Inc.
P.O. Box 53
St. John, IN 46373
219-558-2211
219-306-4571 fax
www.SunRiseSolar.net

Taking GREEN...Mainstream!